

MECO® GP SEALS GAS PANEL

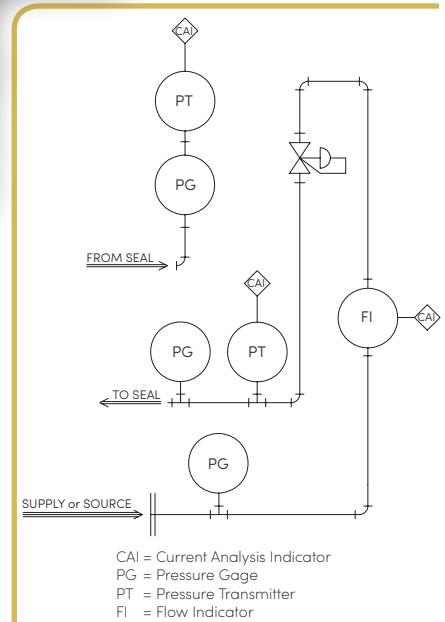
An Employee Owned Company

ENGINEERED
SHAFT SEALS

INSTALLATION READY GAS PANEL

MECO GP

The **MECO GP 301L (left access)** or **MECO GP 301R (right access)** compressed gas panel utilizes a precision, low pressure regulator with capacity for high flow during non-steady-state, upset conditions or high runout service. The unit provides remote sensors, minimizes pressure creep, measures flow rates and is arranged on a 30 cm (1ft) x 60 cm (2ft) stainless steel panel and includes stainless U-bolts for easy mounting.



www.mecoseal.com

MECO ENGINEERED SHAFT SEALS

Manufactured Since 1984 by:



216 Bay Point Road, Georgetown ME 04548 USA
 Phone 1 207 371 2210 • Toll-free in North America 1 800 526 8800 • Fax 1 207 371 2169
www.mecoseal.com • Email sales@mecoseal.com

© 2013 Woodex Bearing Company, Inc. All rights reserved