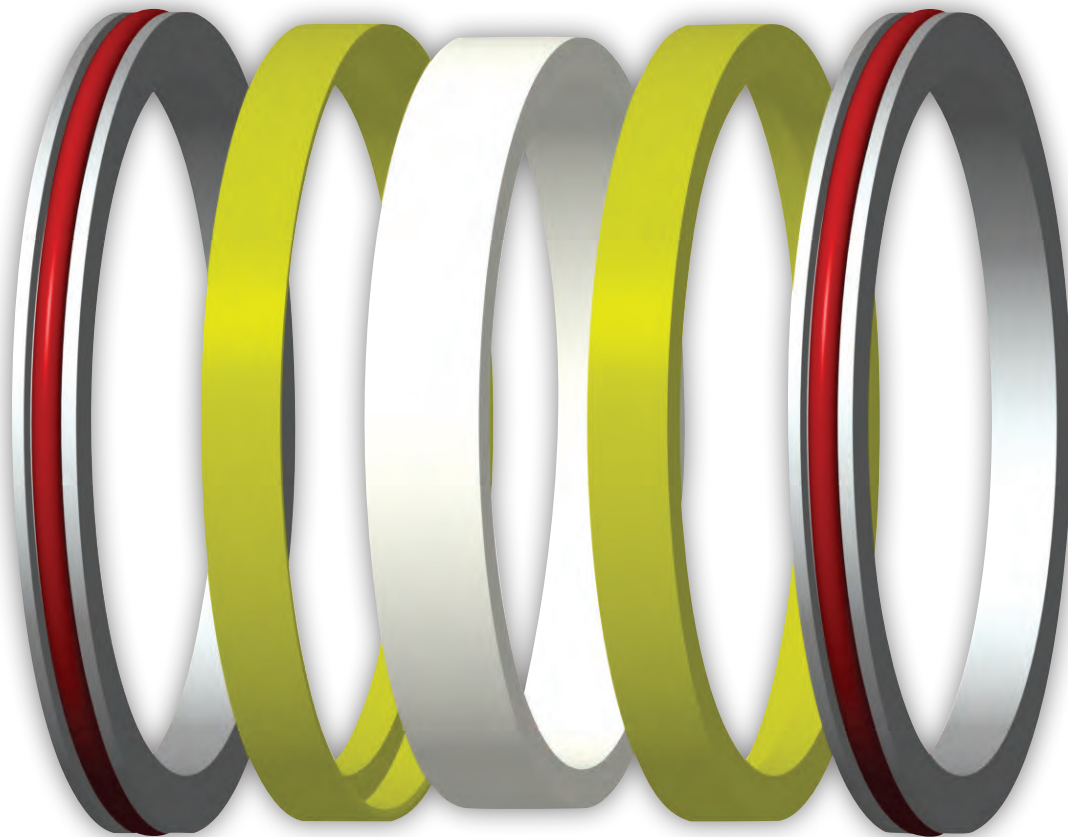


### WHAT IS MECO'S MB SEAL?

The MECO-MB seal model is an elastomer driven, contacting face seal designed to fit inside of an existing stuffing box. It is not available in a split configuration. It is only available for specific, true running equipment, dimensionally accurate and with minimal runout ( $\leq 1\text{mm}$  or  $1/32''$ ).

### WHEN ARE MECO-MB SEALS THE BEST OPTION?

The MECO-MB is a proven solution for service on rotary feeders and airlocks in abrasive service, temperatures up to 260C (500F) and up to a 1 bar (100 kPa or 15 psig) pressure differential. Spring loading may be considered when space and method of equipment assembly permit.



[www.mecoseal.com](http://www.mecoseal.com)

### MECO ENGINEERED SHAFT SEALS

Manufactured Since 1984 by:



216 Bay Point Road, Georgetown ME 04548 USA  
Phone 1 207 371 2210 • Toll-free in North America 1 800 526 8800 • Fax 1 207 371 2169  
[www.mecoseal.com](http://www.mecoseal.com) • Email [sales@mecoseal.com](mailto:sales@mecoseal.com)

© 2017 Woodex Bearing Company, Inc. All rights reserved

*Using the Meco MB model offers our answer to the question, "Where is there a better technique for sealing rotary airlocks and rotary feeders?"*

## HOW DOES THE MB SEAL WORK?

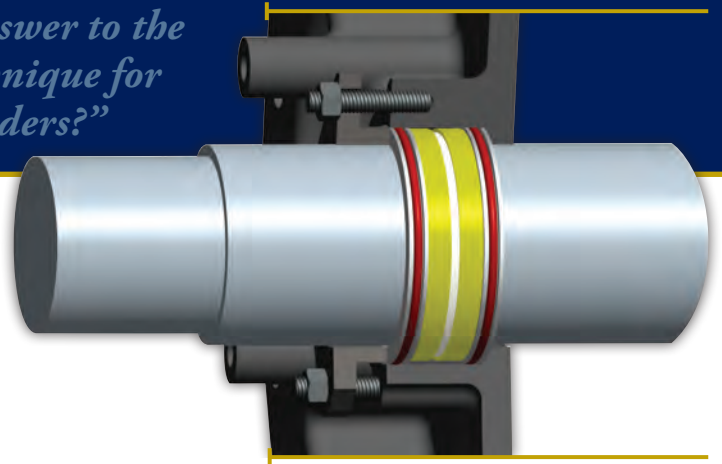
The seal uses the existing gland follower to set the seal faces in contact and a compressed gas barrier fluid to isolate the process from the atmosphere. Typically a 1 Bar ( 100kPa or 15 Psig) regulated setting pressure is needed inside the stuffing box.

## WHAT CONSTRUCTION IS AVAILABLE?



CHECKING FOR FIT IN A ROTARY FEEDER.

The MECO-MB is available in several materials. Various formulas of bearing grade ptfе based materials and other polymeric materials may be considered for the rotating seal faces. The stationary seal faces are typically 300 series stainless steel with hardened stainless steel an option. Typical elastomers for the O-rings and drive elastomer are either silicone or Viton®. The material consideration is based on application parameters such as: abrasiveness, food or pharmaceutical compatibility, hazardous or toxic processes and temperatures. The seal is not available split and is designed per application since there are no standards on rotary feeders and airlocks.



MECO-MB IN A CUTAWAY STUFFING BOX.

## WHAT SIZES ARE AVAILABLE?

The Meco-MB requires a minimum stuffing box cross-section of 8mm (5/16") x 34mm (1-5/16") deep. Since the seal is designed per application, a variety of sizes are possible, but the actual cross-section of the equipment is required for Meco engineers to design for your space.



MECO-MB UNSPLIT SEAL.

Viton® is a registered trademark of E.I. Dupont de Nemours & Company

**MECO's design staff or your local distributor can help tailor the MB to your individual needs.**

Below are a few examples of other **MECO** seal models.

### Split OFS Model



- Top and Side Entry
- Solvents
- Air Free

### EP Model



- Reactor Vessels
- Dryers
- Extruders

### EA Model



- Abrasive Slurries
- Adjustable on-the-Fly
- Large Diameters

### HB Model



### HC Model

- Air Purged/Air Free Standard Seals for C.E.M.A. and Metric Screw Conveyors

### AH Model



- Blenders
- Screw Conveyors
- Tight Spaces

Distributed by:

**MECO MB model is only available solid.**

